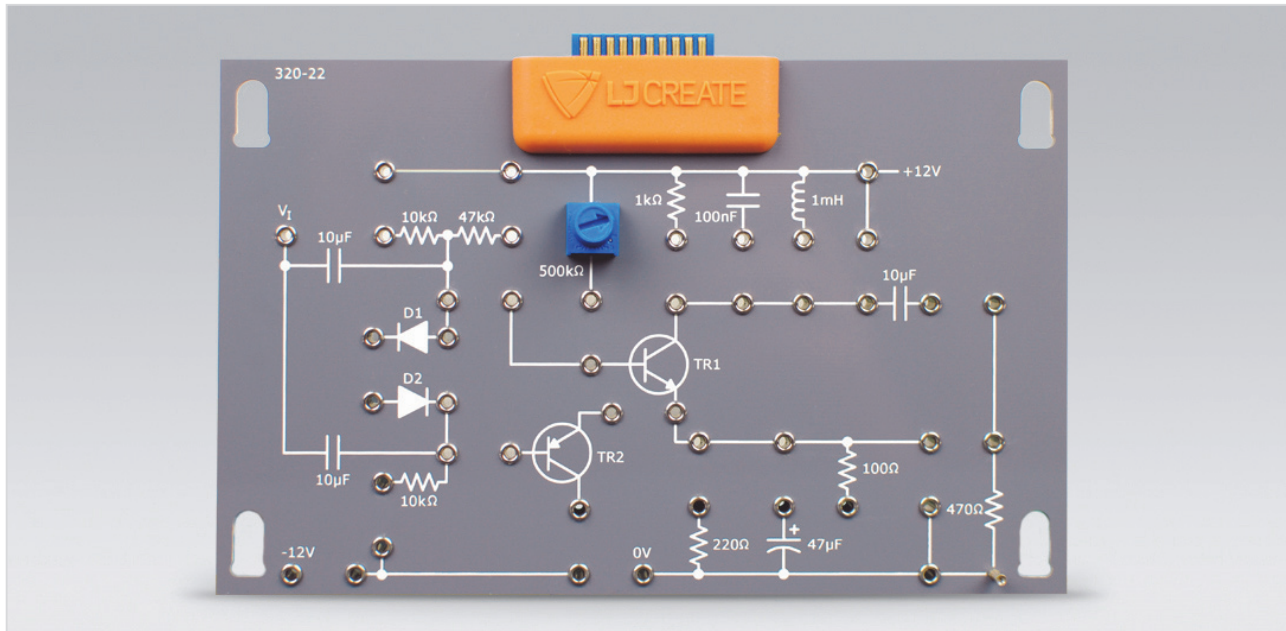


Product Information Sheet

Transistor Amplifiers Card



This practical resource allows students to investigate transistor amplifier circuits through a range of practical activities.

The card is designed for use with the Electronics Study Trainer (320-00).

Practical activities based around this card are available within the digital curriculum materials provided with the 320-00 Electronics Study Trainer.

The card may also be used with our optional cloud-based software. This contains theory presentations, investigations, and assessments, which link directly to the practical activities carried out using this resource.

The Card Includes the Following:

- Class A transistor amplifier
- Class B transistor amplifier
- Class AB transistor amplifier
- Class C transistor amplifier

Practical Tasks Include the Following:

- Build and test a Class A transistor amplifier
- Build and test a Class B transistor amplifier
- Investigate crossover distortion
- Build and test a Class AB transistor amplifier
- Build and test a Class C transistor amplifier
- Effects of feedback in a transistor amplifier circuit
- Fault-finding transistor amplifier circuits

Items Included:

- Circuit Card

Other Items Required:

- Electronics Study Trainer (320-00)
- Digital Multimeter
- Dual Trace Oscilloscope
- Signal Generator

General Information:

Card Dimensions:
160 x 100 x 20 mm (W, H, D)

Packaging:

Orders for multiple 320-series cards are shipped in storage boxes.

Shipping Volume:

Single card: 0.001 m³
Storage box: 0.015 m³

Shipping Weight:

Single card: 0.2 kg
Storage box: 0.5 kg

Please contact LJ Create for estimated shipping volume and weight for your specific order requirements.

Order Code: 320-22

P9002-F

For more information visit www.ljcreate.com